

# Standard Packaged Blowers

125-800 CFM (212-1359 M<sup>3</sup>/HR)



2EB300



2EB3500



2EB410



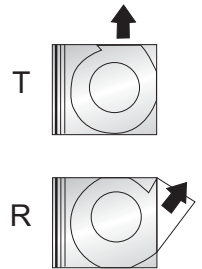
2EB412



2EB512



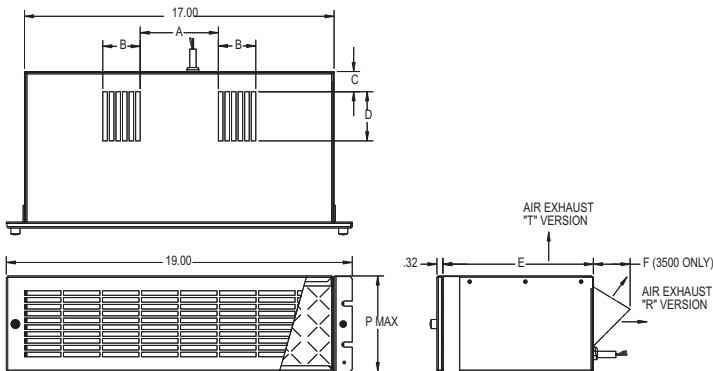
2EB612



## Description

McLean Thermal Packaged Blowers offer reliable rack cooling in a variety of case styles. A broad stock selection is available for immediate shipment. **Two exhaust styles available out rear or out the top. Specify exhaust style (R or T) when ordering.**

## Outline Dimensions In Inches



## Standard Model Features

- 115/230 VAC
- 50/60 Hz
- Permanent, Washable Aluminum Filter
- 19" Rack Mountable
- Brushed Aluminum Grille
- Exhaust Guard
- Power Cord
- Permanently lubricated ball bearing motors
- 100% functionally tested
- UL recognized, CSA certified motors, CE

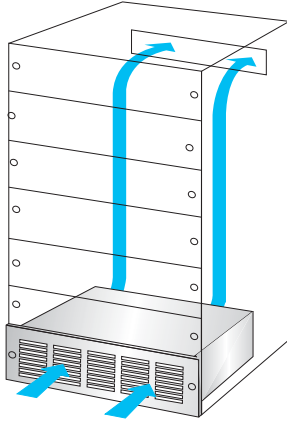
## Options

- Brushless DC Motors
- Air Flow Indicator

## Dimensions

Model	PMax	A	B	C	D	E	F
2EB300R-XXX	5.25	4.30	2.05	-	-	8.22	-
2EB300T-XXX	5.25	4.30	2.05	1.10	2.10	8.27	-
2EB3500R-XXX	5.25	4.38	4.56	-	-	7.17	1.75
2EB3500T-XXX	5.25	4.38	4.56	1.27	2.12	8.25	-
2EB410R-XXX	7.00	3.15	4.80	-	-	8.22	-
2EB410T-XXX	7.00	3.15	4.81	0.81	3.00	8.86	-
2EB412R-XXX	7.00	4.23	3.15	-	-	8.22	-
2EB412T-XXX	7.00	4.23	3.15	0.81	2.50	8.86	-
2EB512R-XXX	8.75	4.13	3.63	-	-	8.22	-
2EB512T-XXX	8.75	4.13	3.63	0.80	3.40	9.61	-
2EB612R-XXX	10.50	4.38	3.99	-	-	10.22	-
2EB612T-XXX	10.50	4.38	3.99	0.03	4.25	12.00	-

## Performance Data



Model	Volts	Hz	CFM	M <sup>3</sup> /HR	RPM	Max Oper Temp °F/°C	AMPS Run	Watts	Shipping Weight (Lbs/Kg)
2EB300R-115	115	50/60	125	212	3000	104/40	0.9	70	16/17.3
2EB300R-230	230	50/60	125	212	3000	104/40	0.5	70	16/17.3
2EB300T-115	115	50/60	125	212	3000	104/40	0.9	70	16/17.3
2EB300T-230	230	50/60	125	212	3000	104/40	0.5	70	16/17.3
2EB3500R-115	STOCK 115	50/60	290	493	3050	104/40	1.8	125	177.7
2EB3500R-230	230	50/60	290	493	3050	104/40	0.9	125	177.7
2EB3500T-115	STOCK 115	50/60	290	493	3050	104/40	1.8	125	177.7
2EB3500T-230	230	50/60	290	493	3050	104/40	0.9	125	177.7
2EB410R-115	115	50/60	300	510	1550	104/40	1.2	95	19/8.6
2EB410R-230	230	50/60	300	510	1550	104/40	0.6	95	19/8.6
2EB410T-115	115	50/60	300	510	1550	104/40	1.2	95	19/8.6
2EB410T-230	230	50/60	300	510	1550	104/40	0.6	95	19/8.6
2EB412R-115	STOCK 115	50/60	350	595	3100	104/40	1.8	200	22/10
2EB412R-230	230	50/60	350	595	3100	104/40	0.8	200	22/10
2EB412T-115	STOCK 115	50/60	350	595	3100	104/40	1.8	200	22/10
2EB412T-230	230	50/60	350	595	3100	104/40	0.8	200	22/10
2EB512R-115	115	50/60	500	850	1700	104/40	1.3	140	25/11.3
2EB512R-230	230	50/60	500	850	1700	104/40	0.6	140	25/11.3
2EB512T-115	115	50/60	500	850	1700	104/40	1.3	140	25/11.3
2EB512T-230	230	50/60	500	850	1700	104/40	0.6	140	25/11.3
2EB612R-115	STOCK 115	50/60	800	1359	1650	104/40	2.2	220	41/18.6
2EB612R-230	230	50/60	800	1359	1650	104/40	1.0	220	41/18.6
2EB612T-115	STOCK 115	50/60	800	1359	1650	104/40	2.2	220	41/18.6
2EB612T-230	230	50/60	800	1359	1650	104/40	1.0	220	41/18.6

\* Non-Stock units may have additional numbers / letters designating all desired options. Consult the factory for specific model numbers.

## Performance Curves

