

# Filter Box Assemblies

275-1200 CFM (467-2039 M<sup>3</sup>/HR)

**1RB65**



**1RB80**



**1RB100**



**1RB120**



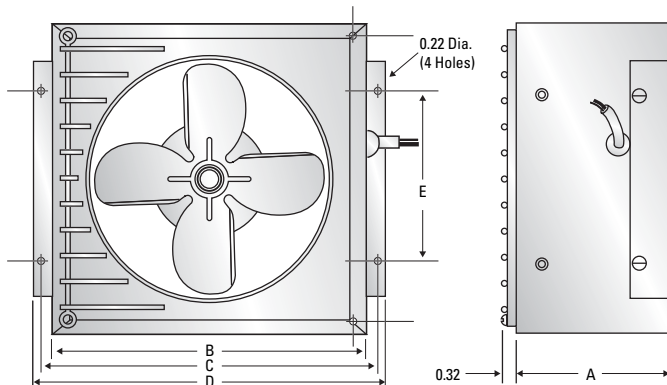
## Description

McLean Thermal Filter Box Fan Assemblies are high volume air movers that require minimal enclosure space. Repositionable mounting ears allow the fans to be mounted internally or externally, and used for either intake or exhaust.

## Features

- 115/230 VAC
- 50/60Hz
- Inlet Guard
- Outlet Guard
- Power Cord
- Permanently lubricated ball bearing motors
- 100% functionally tested
- Agency Approval: UL/CUL, CB Approved, CE Marked

## Outline Dimensions In Inches



## Dimensions

Model	A	B	C	D	E
1RB65	4.50	8.88	9.56	10.13	4.88
1RB180	4.50	8.88	9.56	10.13	4.88
1RB100	4.50	12.13	12.81	13.38	6.13
1RB120	7.38	15.13	15.81	16.38	3.00

## Options

- Permanent, Washable Aluminum Filter

## Performance Data

Model	Volts	Hz	CFM	M <sup>3</sup> /HR	RPM	Max Oper Temp °F/°C	AMPS		Watts	Shipping Weight (Lbs/Kg)
							Run	Start		
1RB65-115	115	50/60	275	493	3000	104/40	0.85	1.2	70	8/3.5
1RB65-230	230	50/60	275	493	3000	104/40	0.5	0.7	70	8/3.5
1RB80-115	115	50/60	390	699	1600	104/40	1.1	1.5	80	10/4.5
1RB80-230	230	50/60	390	699	1600	104/40	0.55	0.8	80	10/4.5
1RB100-115	115	50/60	725	1299	1600	104/40	1.2	1.5	90	12/5.4
1RB100-230	230	50/60	725	1299	1600	104/40	0.6	0.8	90	12/5.4
1RB120-115	115	50/60	1200	2151	1500	104/40	1.5	2.5	160	24/10.8
1RB120-230	230	50/60	1200	2151	1500	104/40	0.8	1.8	160	24/10.8

## Performance Curves

