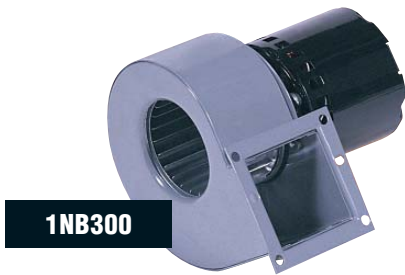


# Single Centrifugal Blowers

75-325 CFM (127-553 M<sup>3</sup>/HR)



1NB300



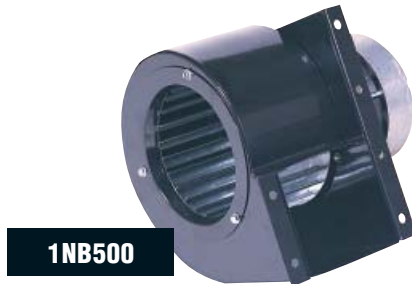
1NB302



1NB412



1NB424



1NB500



1NB525

## Description

McLean Thermal Single Centrifugal Blowers are compact for the maximum in spot cooling applications. Single centrifugal blowers can be mounted in any position for effective air movement.

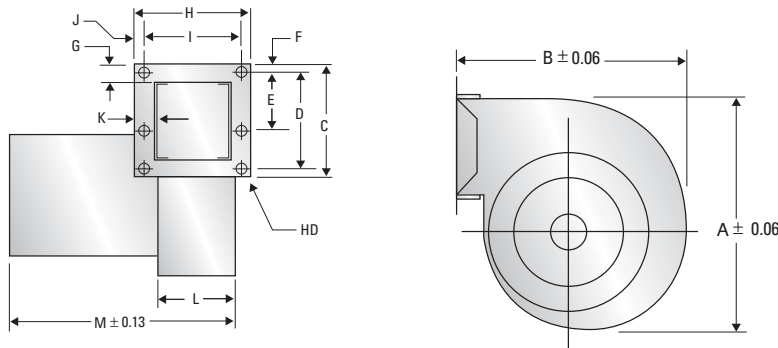
## Standard Model Features

- 115/230 VAC
- 50/60 Hz
- UL Recognized, CSA Certified Motors
- 100% Functionally Tested

## Options

- 230V, 24 and 48 V Brushless DC
- Inlet and Exhaust Finger Guards
- Custom Packaging

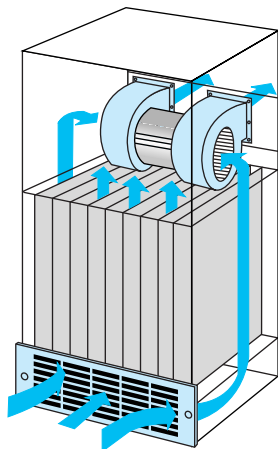
## Outline Dimensions In Inches



## Dimensions

Model	A	B	C	D	F	G	H	I	J	K	L	M	HD
1NB300	5.19	5.25	3.03	2.50	0.28	0.14	3.03	2.63	0.22	0.47	2.13	5.63	0.25
1NB412	6.81	6.14	3.84	3.29	0.31	0.62	4.66	4.03	0.31	0.72	3.22	7.47	0.28
1NB424	8.06	7.75	4.89	3.44	0.31	0.72	4.69	4.06	0.31	0.63	3.66	6.91	0.28
1NB500	8.06	7.69	3.25	2.25	0.50	-	5.25	4.50	0.36	0.75	3.75	7.94	0.28
1NB525	8.59	8.29	3.25	2.25	0.50	-	5.75	5.00	0.36	0.75	4.25	8.14	0.28

## Performance Data



Model	Volts	Hz	CFM	M <sup>3</sup> /HR	RPM	Max Oper Temp °F/°C	AMPS Run	AMPS Start	Watts	Shipping Weight (Lbs/Kg)
1NB300-115	115	50/60	75	128	3000	104/40	0.6	0.8	45	5/2.3
1NB300-230	230	50/60	75	128	3000	104/40	0.3	0.4	45	5/2.3
1NB412-115	115	50/60	200	340	3100	104/40	1.2	2.1	120	6/2.7
1NB412-230	230	50/60	200	340	3100	104/40	0.6	1.5	120	6/2.7
1NB424-115 STOCK	115	50/60	175	298	1600	104/40	1	1.4	75	6/2.7
1NB424-230	230	50/60	175	298	1600	104/40	0.5	0.8	75	6/2.7
1NB500-115	115	50/60	250	425	1600	104/40	0.9	3	80	8/3.6
1NB500-230	230	50/60	250	425	1600	104/40	0.9	3	80	8/3.6
1NB525-115	115	50/60	325	553	1600	104/40	1	3	90	9/4.1
1NB525-230	230	50/60	325	553	1600	104/40	0.5	1.5	90	9/4.1

## Performance Curves

