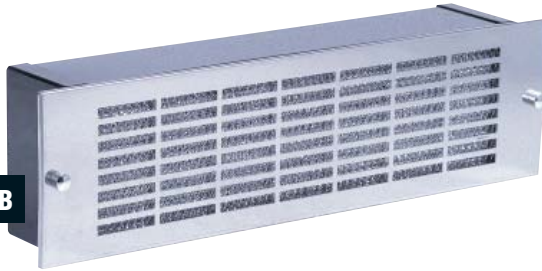


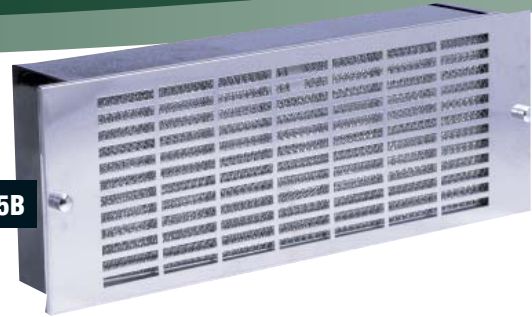
Fanpack Assemblies

275-350 CFM (467-595 M³/HR)

1EB52H115B



1EB70H115B



1EB52H115A



Description

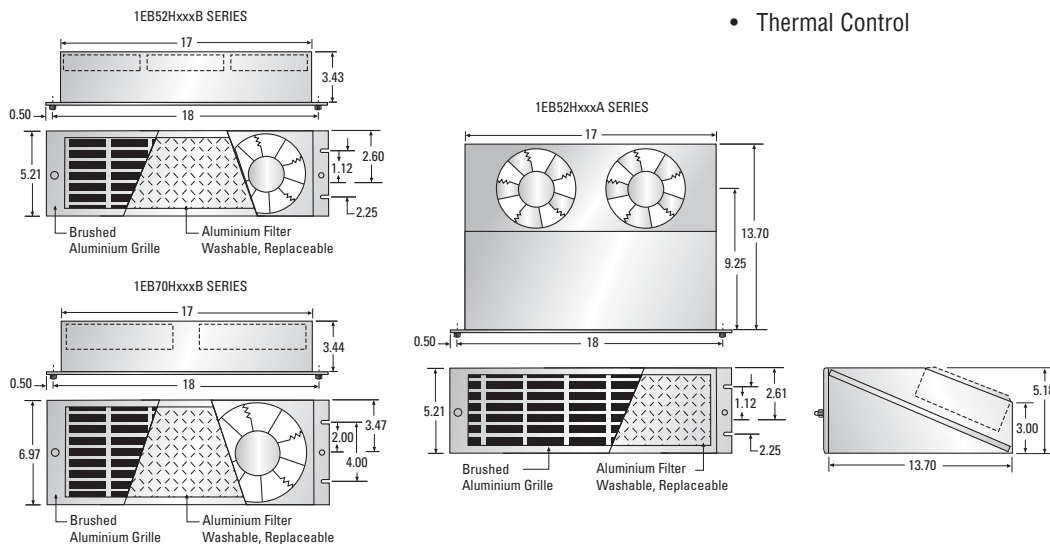
Fanpack Assemblies are filtered inlet redundant fan packages. The compact size of the "B" models result in minimal intrusion into the enclosure.

Standard Model Features

- 115/230 VAC
- 12, 24, 48, VDC
- 50/60 Hz
- Permanent, Washable Aluminum Filter
- 19" Rack Mountable
- Brushed Aluminum Grille
- Exhaust Guard
- Power Cord
- Permanently lubricated ball bearing motors
- 100% functionally tested
- UL recognized, CSA Certified Motors, CE

Outline Dimensions In Inches

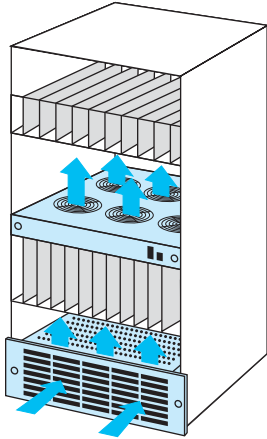
Standard EIA Mounting



Options

- Thermal Control

Performance Data



Model		Volts	Hz	CFM	M ³ /HR	RPM	Max Oper	AMPS		Shipping Weight (Lbs/Kg)	
							Temp °F/°C	Run	Start		Watts
1EB52H115A	STOCK	115	50/60	320	544	3300	140/60	0.52	1.00	62	14/6.3
1EB52H230A		230	50/60	320	544	3300	140/60	0.26	0.50	62	14/6.3
1EB52H115B	STOCK	115	50/60	235	400	3100	140/60	0.55	0.80	44	8/3.6
1EB52H230B		230	50/60	235	400	3100	140/60	0.31	0.40	44	8/3.6
1EB52H12A		12	DC	320	544	3300	140/60	4.4	7.00	53	14/6.3
1EB52H12B		12	DC	235	400	3100	140/60	2	4.00	24	8/3.6
1EB52H24A		24	DC	320	544	3300	140/60	1.8	3.00	43	14/6.3
1EB52H24B		24	DC	235	400	3100	140/60	0.85	2.10	21	8/3.6
1EB52H48A		48	DC	320	544	3300	140/60	0.9	1.40	43	14/6.3
1EB52H48B		48	DC	235	400	3100	140/60	0.6	1.10	28	8/3.6
1EB70H115B	STOCK	115	50/60	350	595	3350	140/60	0.55	1.00	68	10/4.5
1EB70H230B		230	50/60	350	595	3350	140/60	0.3	0.50	68	10/4.5
1EB70H12B		12	DC	350	595	3400	140/60	4.4	7.00	53	10/4.5
1EB70H24B		24	DC	350	595	3400	140/60	1.7	3.00	41	10/4.5
1EB70H48B		48	DC	350	595	3400	140/60	0.85	1.4	41	10/4.5

* Non-Stock units may have additional numbers / letters designating all desired options. Consult the factory for specific model numbers.

Performance Curves

