

Radial Wheel Centrifugal Blowers

90-410CFM (153-697 M³/HR)



1NBR7



1NBR9



1NBR11

Description

McLean Thermal Radial Wheel Centrifugal Blowers have been designed to deliver high pressure cooling at low air flow rates. Available up to 9" static pressure, these models surpass conventional blowers in pressure capability, and equal the reliability.

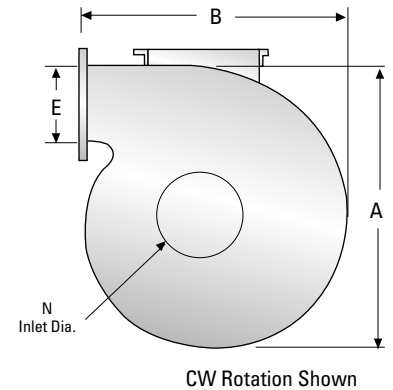
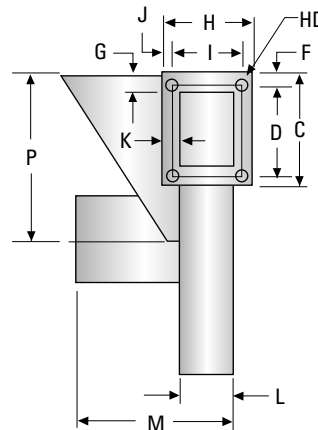
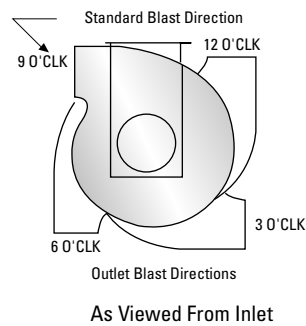
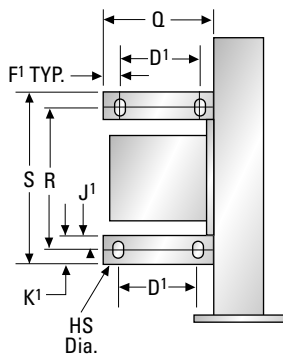
Standard Model Features

- 115/230 VAC
- 50/60 Hz
- Multiple Mounting Orientations
- UL Recognized, CSA Certified Motors
- 100% Functionally Tested

Options

- Inlet and Exhaust Finger Guards

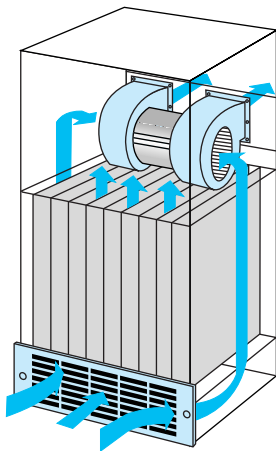
Outline Dimensions In Inches



Dimensions

Model	A	B	C	D	D1	E	F	F1	GTYP	H	I	J	J1	K	K1	L	M	N	P	Q	R	S	HD
1NBR7	10.6	11.8	4.6	4	4	2.7	0.3	0.5	0.9	3.5	2.7	0.3	0.5	0.8	1	2	6.1	2.6	6.5	5	6	7	0.2
1NBR8	10.7	10.3	4.6	4	4	3.1	0.3	0.5	0.7	3.5	2.7	0.3	0.5	0.8	1	2	6.1	2.6	6.3	5	6	7	0.2
1NBR9	13	13.5	4.6	4	4	4	0.3	0.5	0.3	3	2.2	0.3	0.5	0.8	1	1.5	8.7	3.3	7.3	5	6	7	0.2
1NBR10	13.5	14	4.6	4	4	3.5	0.3	0.5	0.5	3.8	3.1	0.3	0.5	0.8	1	2.5	9.7	3.7	7.8	5	6	7	0.2
1NBR11	14	15	4.6	4	4	3.5	0.3	0.5	0.5	3.8	3.1	0.3	0.5	0.7	1	2.5	9.7	4.1	8.4	5	6	7	0.2

Performance Data



Model	Volts	Hz	CFM	M ³ /HR	RPM	Max Oper	AMPS		Watts	Shipping Weight (Lbs/Kg)
						Temp °F/°C	Run	Start		
1NBR7-115	115	50/60	90	161	3000	104/40	1.3	1.7	150	8/3.5
1NBR7-230	230	50/60	90	161	3000	104/40	0.7	0.8	150	8/3.5
1NBR8-115	115	50/60	140	251	3200	104/40	2	3.5	200	10/4.5
1NBR8-230	230	50/60	140	251	3200	104/40	1	1.8	200	10/4.5
1NBR9-115	115	50/60	210	376	3300	104/40	1	2.5	275	12/5.4
1NBR9-230	230	50/60	210	376	3300	104/40	0.5	1.7	275	12/5.4
1NBR10-115	115	50/60	300	538	3000	104/40	5	10.5	550	20/9
1NBR10-230	230	50/60	300	538	3000	104/40	2.5	6	550	20/9
1NBR11-115	115	50/60	410	735	3000	104/40	3.2	10.5	625	20/9
1NBR11-230	230	50/60	410	735	3000	104/40	1.6	6	625	20/9

Performance Curves

