

Dual Centrifugal Blowers

130-825 CFM (221-1403 M³/HR)



2NB300



2NB400



2NB3500



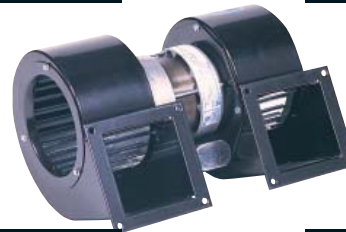
2NB412



2NB416



2NB424



2NB512



2NB612

Description

McLean Thermal Dual Centrifugal Blowers are designed for applications where space limitations are a problem. Mountable in any position, these blowers provide dual blasts from separate housings mounted on a reliable motor.

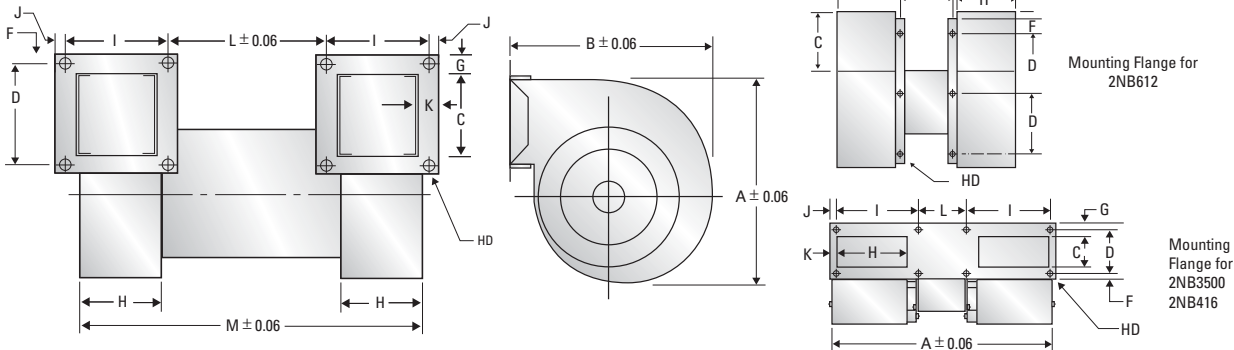
Standard Model Features

- 115/230 VAC
- 50/60 Hz
- UL Recognized, CSA Certified Motors
- 100% Functionally Tested

Options

- 24 and 48 V Brushless DC
- Inlet and Exhaust Finger Guards
- Custom Packaging

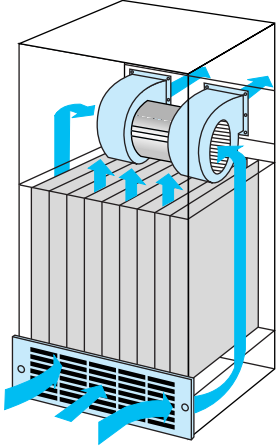
Outline Dimensions In Inches



Dimensions

Model	A	B	C	D	F	G	H	I	J	K	L	M	HD
2NB300	5.19	5.25	2.19	2.50	0.28	0.14	2.13	3.50	0.22	0.47	3.81	8.59	0.25
2NB3500	5.57	5.07	2.00	2.75	0.38	0.78	4.37	5.25	0.38	0.50	3.00	13.8	0.22
2NB410	8.06	7.75	3.25	2.38	0.31	-	4.94	5.75	0.31	0.75	2.13	12.81	0.28
2NB412	6.19	6.47	2.59	3.22	0.31	0.63	3.22	4.03	0.31	0.72	3.31	10.57	0.28
2NB416	6.19	6.47	2.66	3.13	0.38	0.61	4.81	5.50	0.31	0.81	4.36	14.5	0.20
2NB424	8.06	7.00	3.13	3.25	0.63	0.13	3.50	4.13	0.69	1.12	3.63	11.25	0.25
2NB512	8.06	7.75	3.44	4.06	0.31	0.63	3.66	4.25	0.31	0.63	3.63	11.56	0.28
2NB612	11.10	10.20	4.38	4.19	1.00	-	3.63	-	-	-	-	12.75	0.28

Performance Data



Model	Volts	Hz	CFM	M ³ /HR	RPM	Max Oper Temp °F/°C	AMPS			Shipping Weight (Lbs/Kg)
							Run	Start	Watts	
2NB300-115	115	50/60	130	221	2900	104/40	0.9	1.2	70	6/2.7
2NB300-230	230	50/60	130	221	2900	104/40	0.5	0.6	70	6/2.7
2NB3500-115	115	50/60	300	510	3050	104/40	1.8	2.5	125	8/3.6
2NB3500-230	230	50/60	300	510	3050	104/40	0.9	1.3	125	8/3.6
2NB410-115	115	50/60	320	544	1500	104/40	1.2	1.6	90	9/4.1
2NB410-230	230	50/60	320	544	1500	104/40	0.6	1.3	90	9/4.1
2NB412-115	115	50/60	360	612	3000	104/40	1.6	4	225	9/4.1
2NB412-230	230	50/60	360	612	3000	104/40	0.8	2	225	9/4.1
2NB416-115	115	50/60	550	935	3000	104/40	2.5	4	250	9/4.1
2NB416-230	230	50/60	550	935	3000	104/40	1.8	2	250	9/4.1
2NB424-115	115	50/60	350	595	3100	104/40	4	6.8	400	12/5.4
2NB424-230	230	50/60	350	595	3100	104/40	2	3.5	400	12/5.4
2NB512-115	115	50/60	500	850	1700	104/40	1.5	3.5	130	14/6.3
2NB512-230	230	50/60	500	850	1700	104/40	0.8	1.7	130	14/6.3
2NB612-115	115	50/60	825	1403	1500	104/40	3	4.8	320	22/10
2NB612-230	230	50/60	825	1403	1500	104/40	1.5	2.4	320	22/10

Performance Curves

